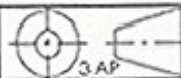


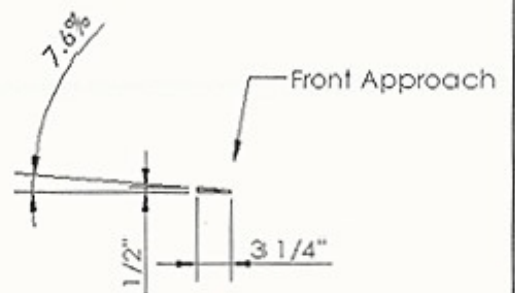
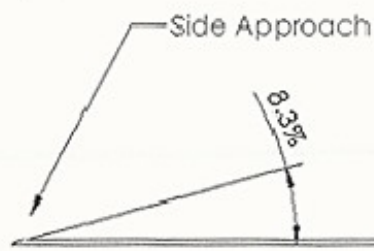
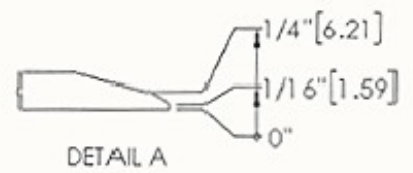
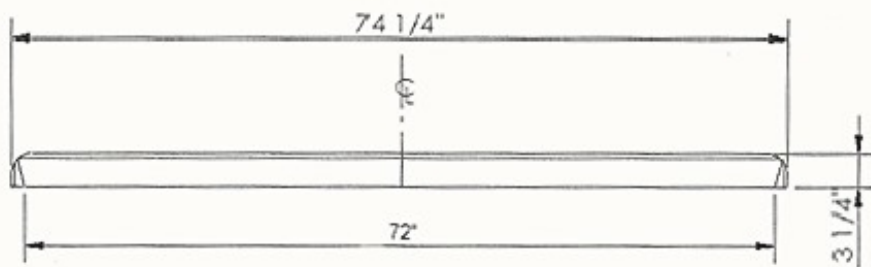
MODEL: EZE 0010

Rev. 2016

INCHES [mm]



NOTE: DRAWING IS TO SCALE



A



2 PIECE ASSEMBLY

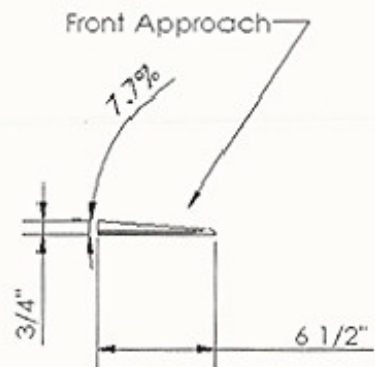
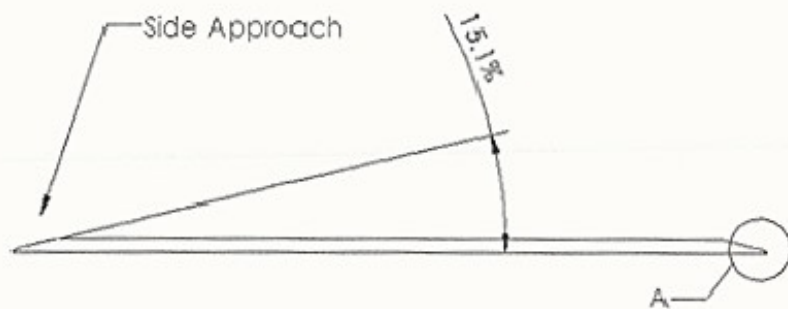
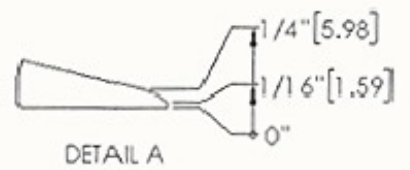
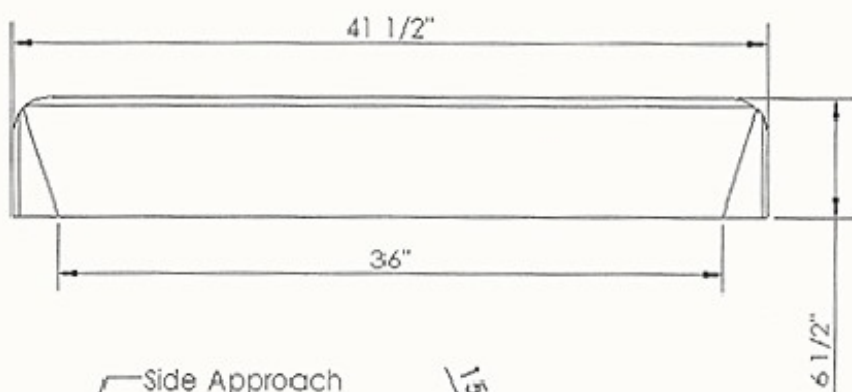
MODEL: EZE 0040

Rev. 2016

INCHES [mm]



NOTE: DRAWING IS TO SCALE



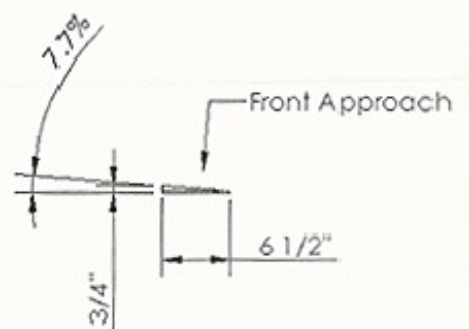
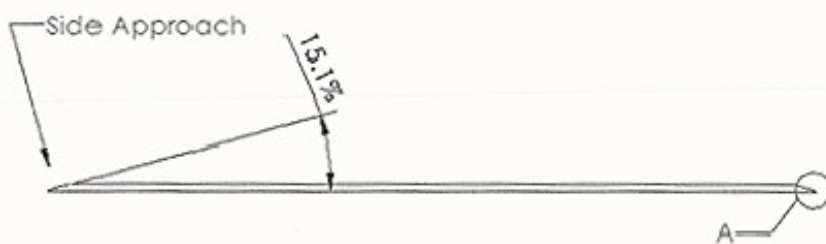
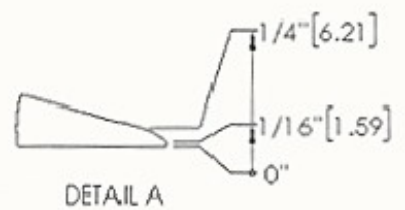
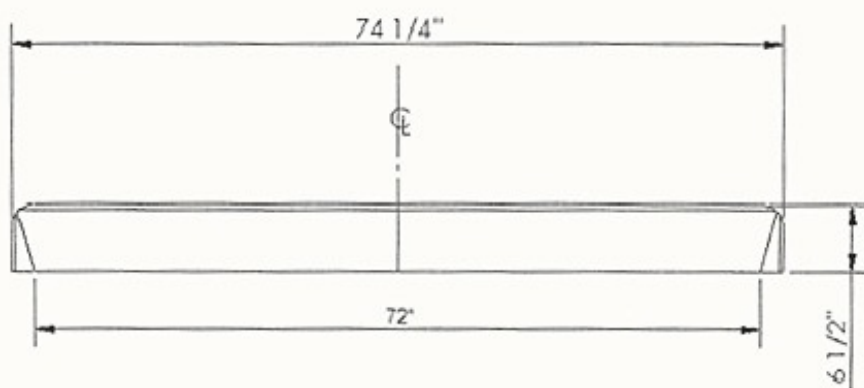
MODEL: EZE 0050

Rev. 2016

INCHES [mm]



NOTE: DRAWING IS TO SCALE



2 PIECE ASSEMBLY

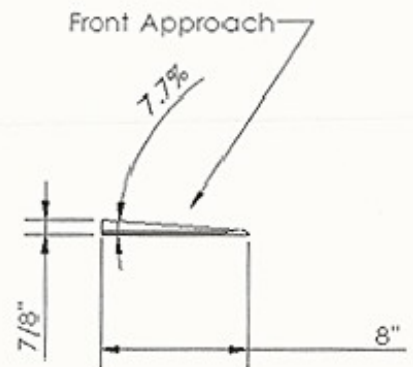
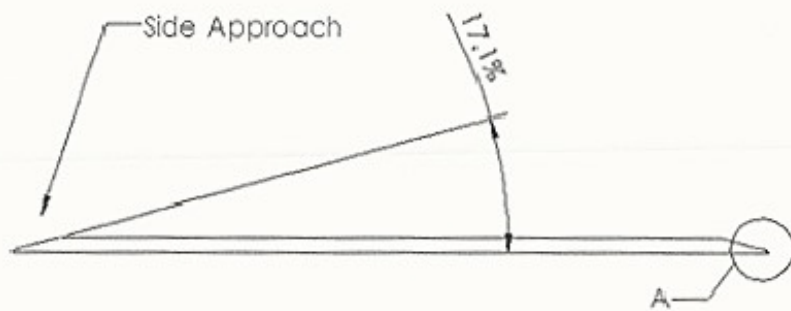
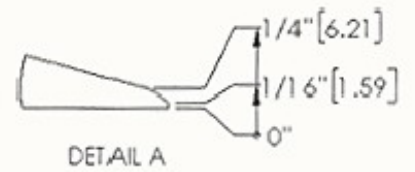
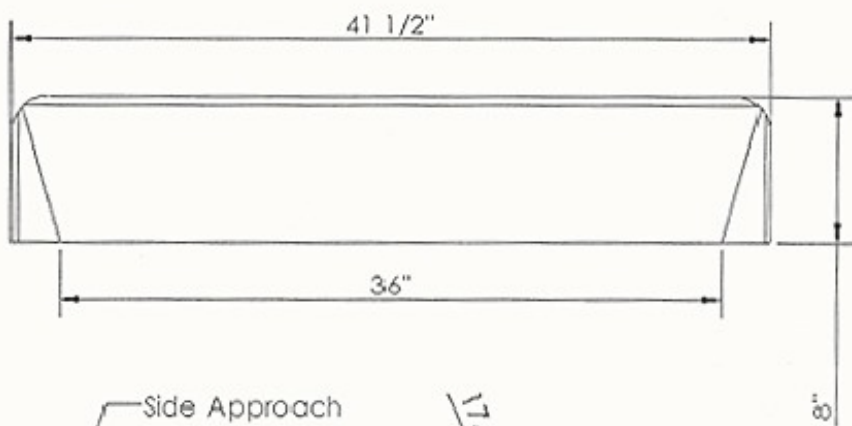
MODEL: EZE 0080

Rev. 2016

INCHES [mm]



NOTE: DRAWING IS TO SCALE



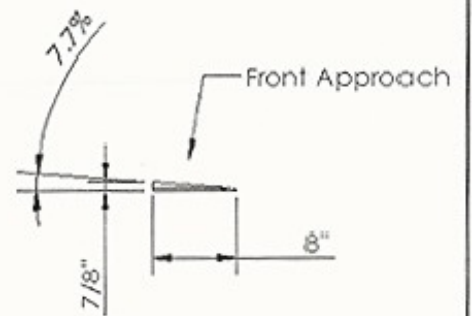
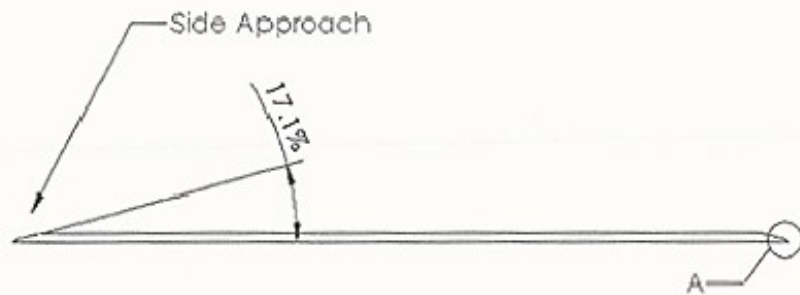
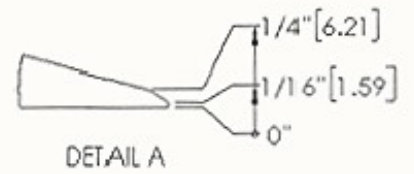
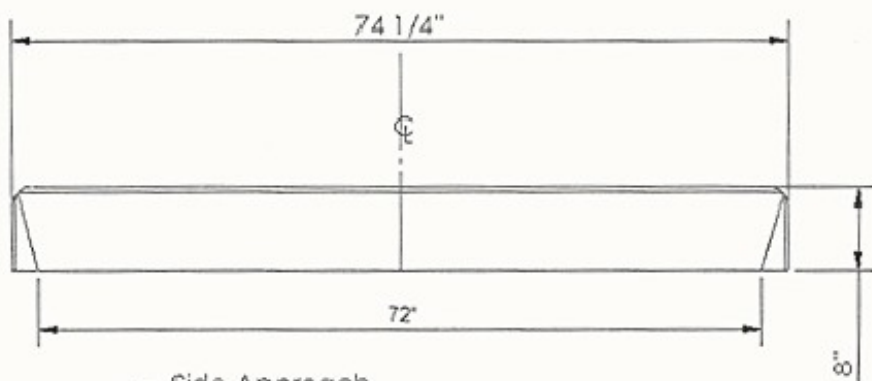
MODEL: EZE 0110

Rev. 2016

INCHES [mm]



NOTE: DRAWING IS TO SCALE



2 PIECE ASSEMBLY

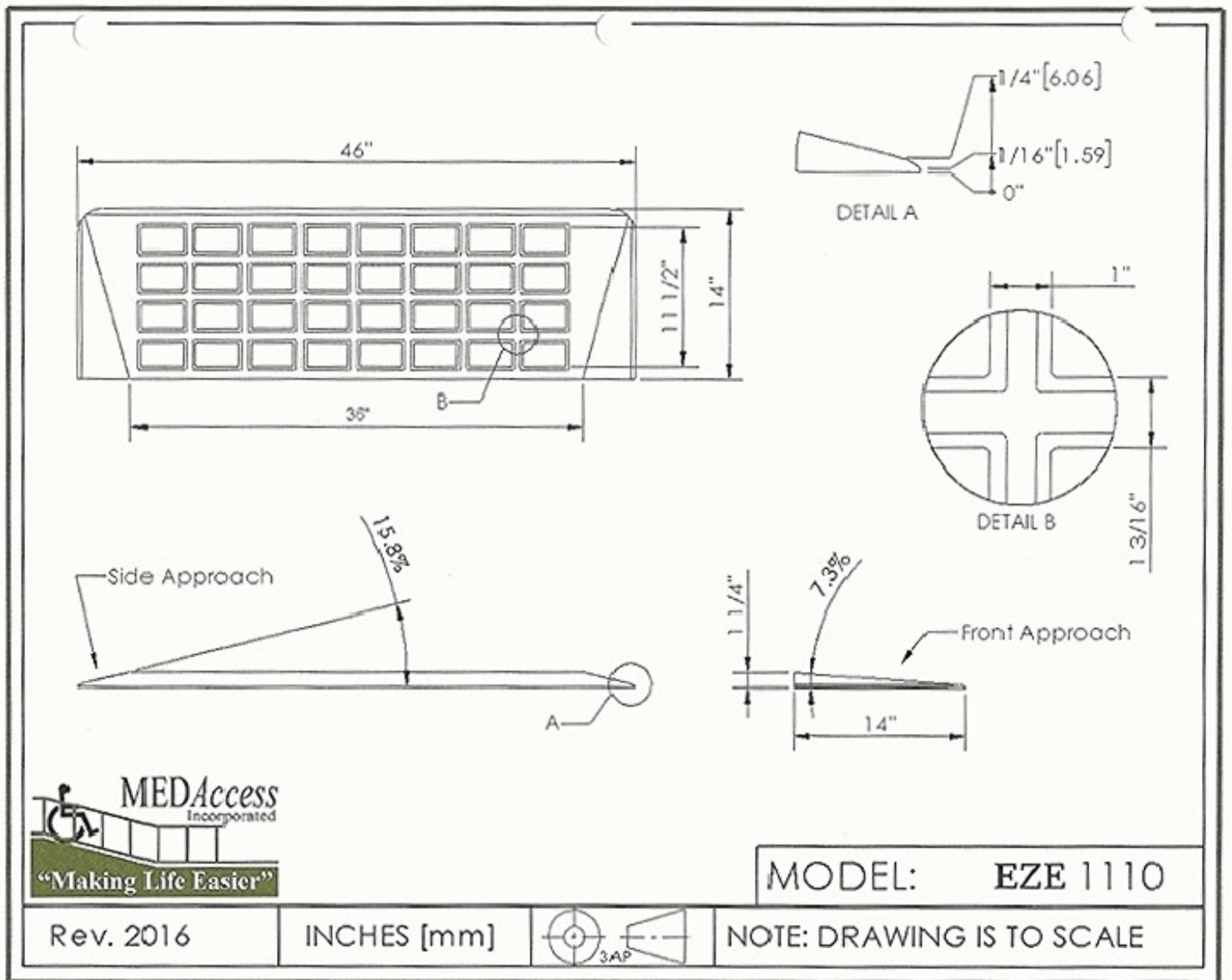
MODEL: EZE 0140

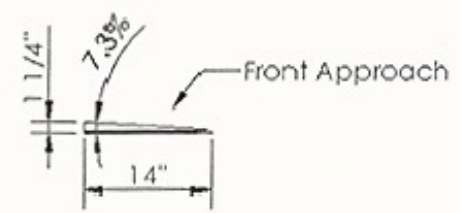
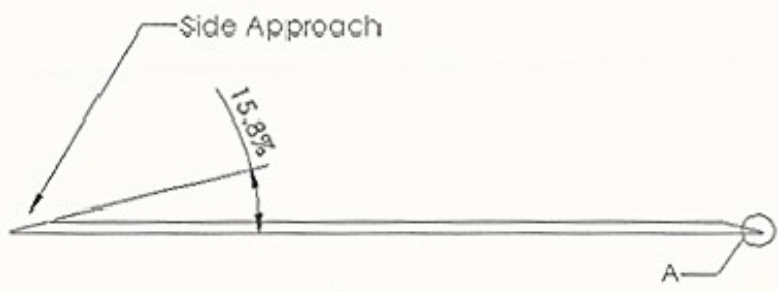
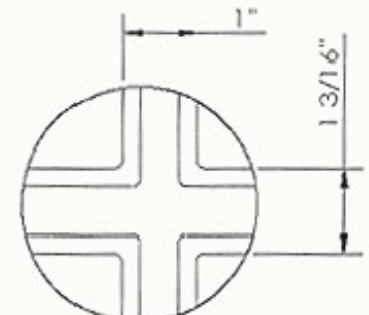
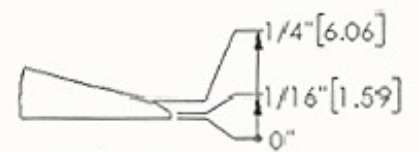
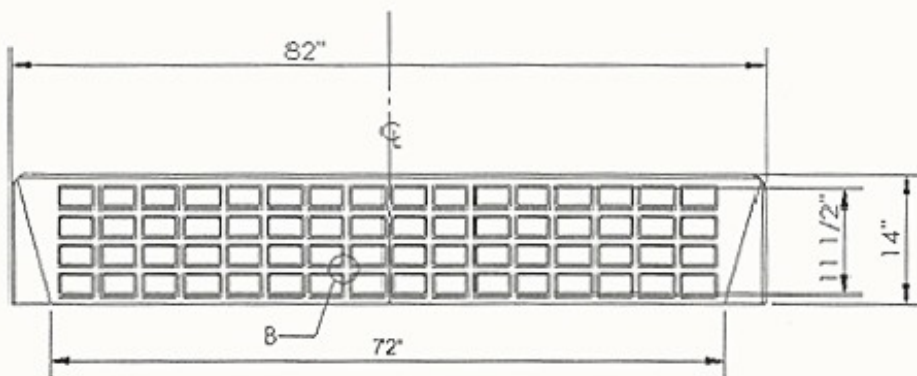
Rev. 2016

INCHES [mm]



NOTE: DRAWING IS TO SCALE





2 PIECE ASSEMBLY

MODEL: EZE 1140

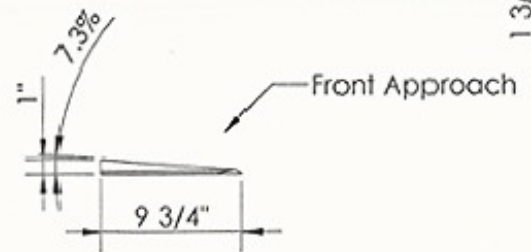
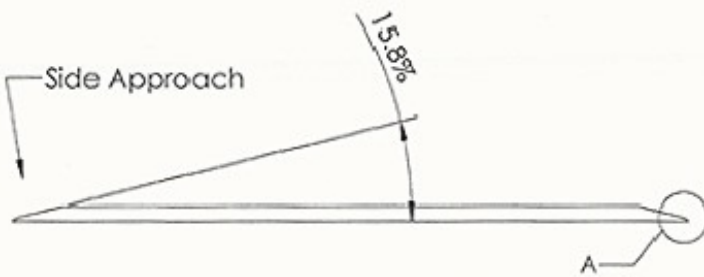
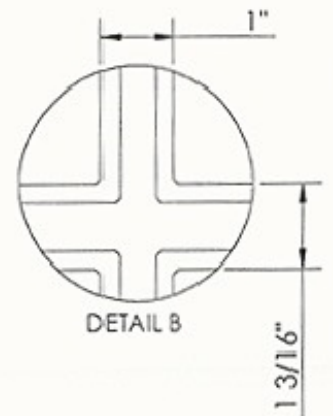
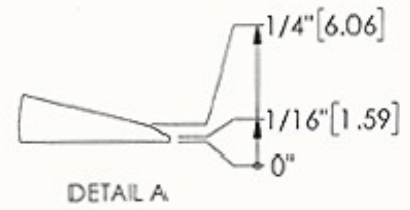
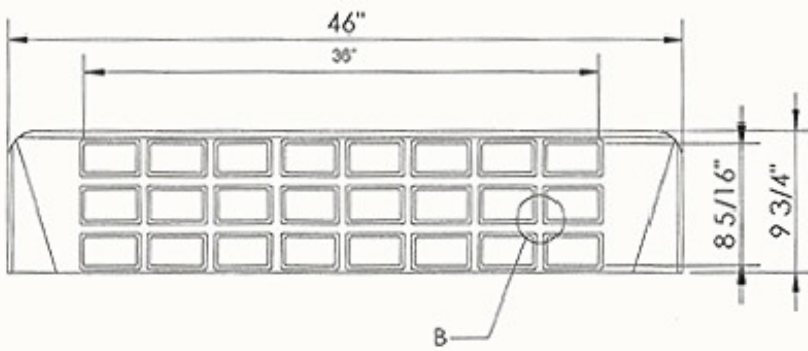
Rev. 2016

INCHES [mm]



NOTE: DRAWING IS TO SCALE





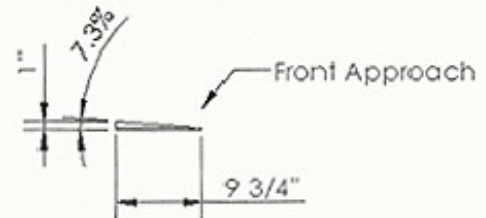
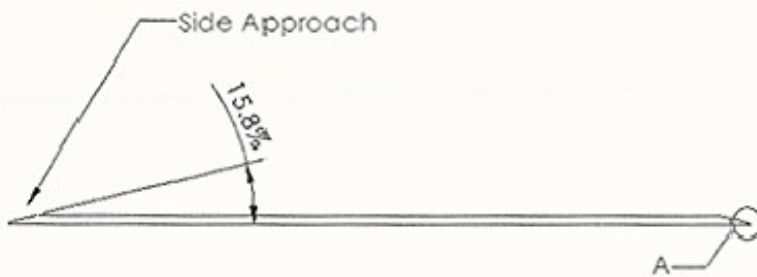
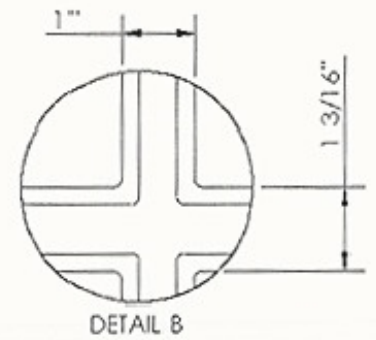
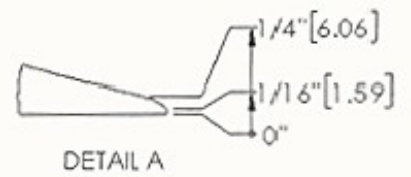
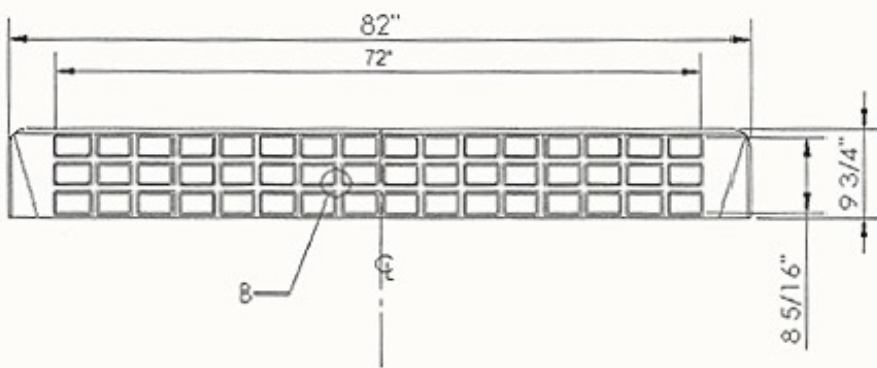
MODEL: EZE 1150

Rev. 2016

INCHES [mm]



NOTE: DRAWING IS TO SCALE



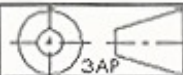
2 PIECE ASSEMBLY

MODEL: EZE 1180

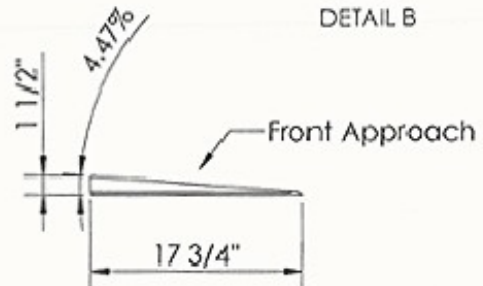
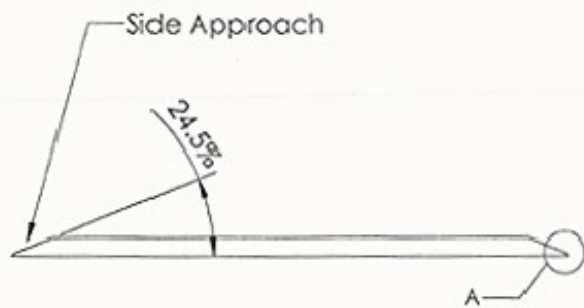
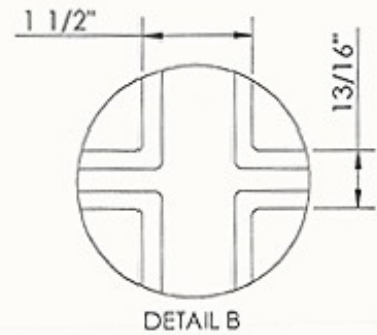
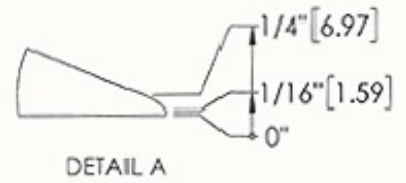
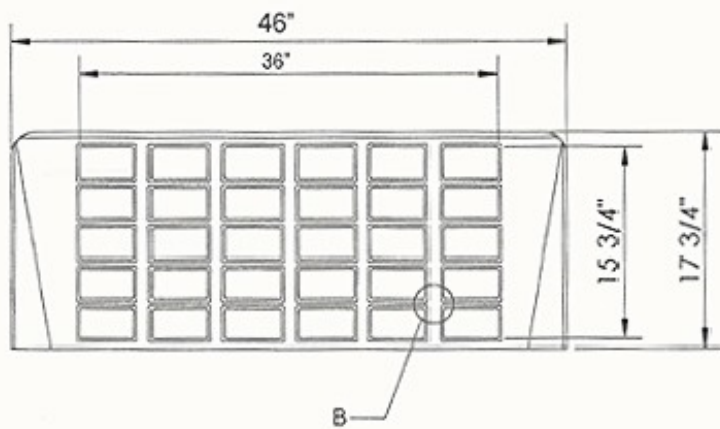


Rev. 2016

INCHES [mm]



NOTE: DRAWING IS TO SCALE



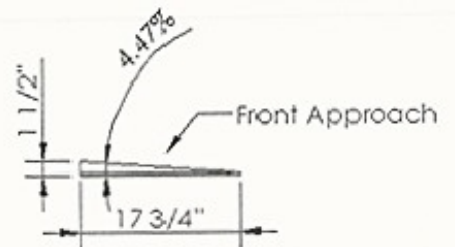
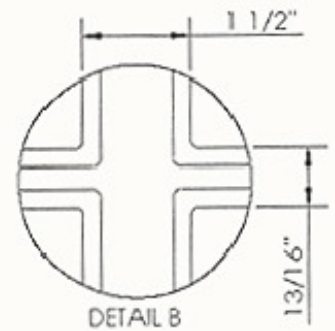
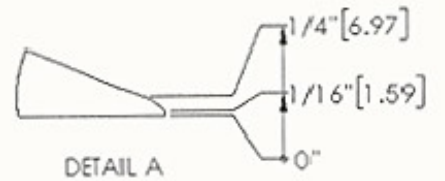
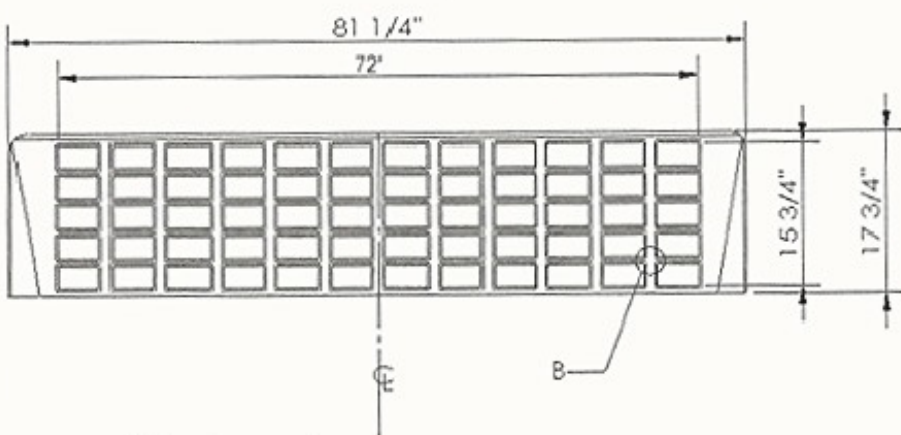
MODEL: EZE 1310

Rev. 2016

INCHES [mm]



NOTE: DRAWING IS TO SCALE



2 PIECE ASSEMBLY

MODEL: EZE1340

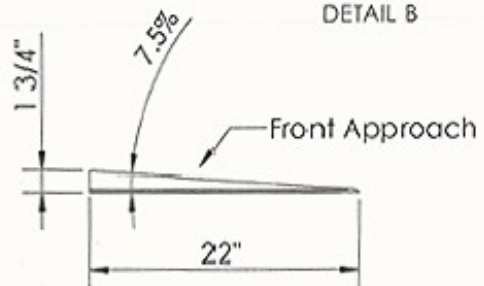
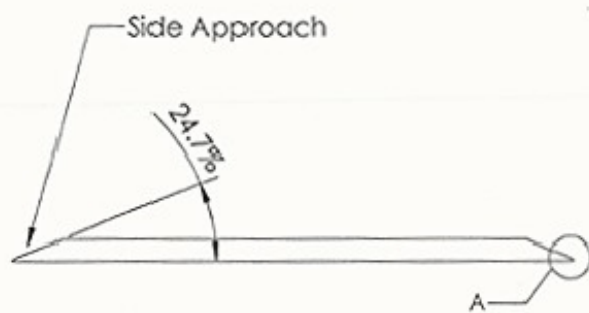
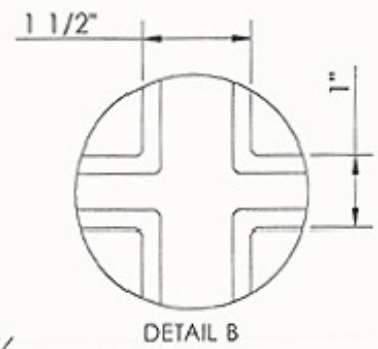
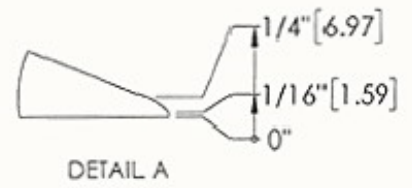
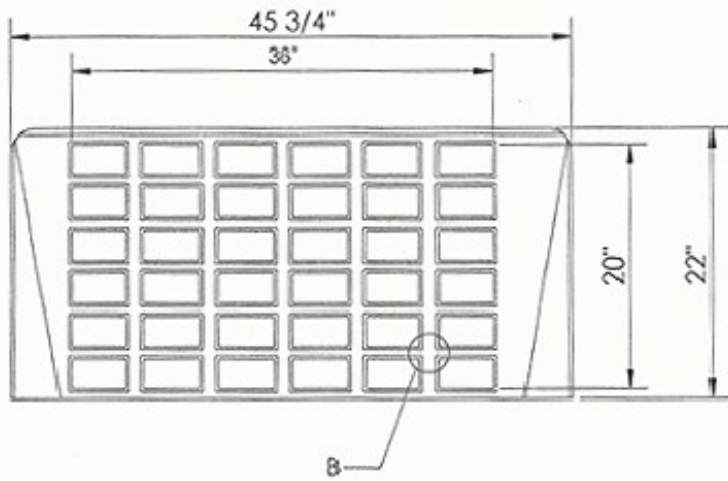


Rev. 2016

INCHES [mm]



NOTE: DRAWING IS TO SCALE



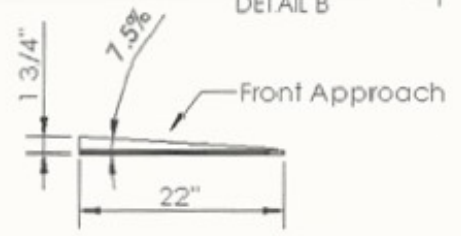
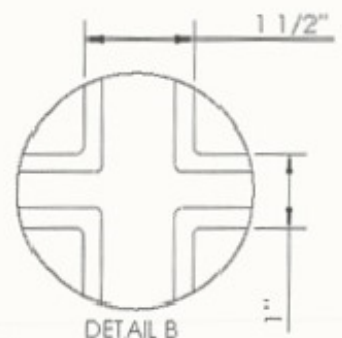
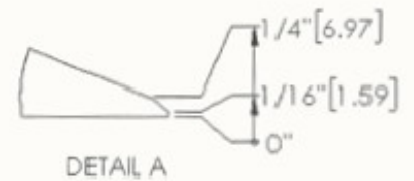
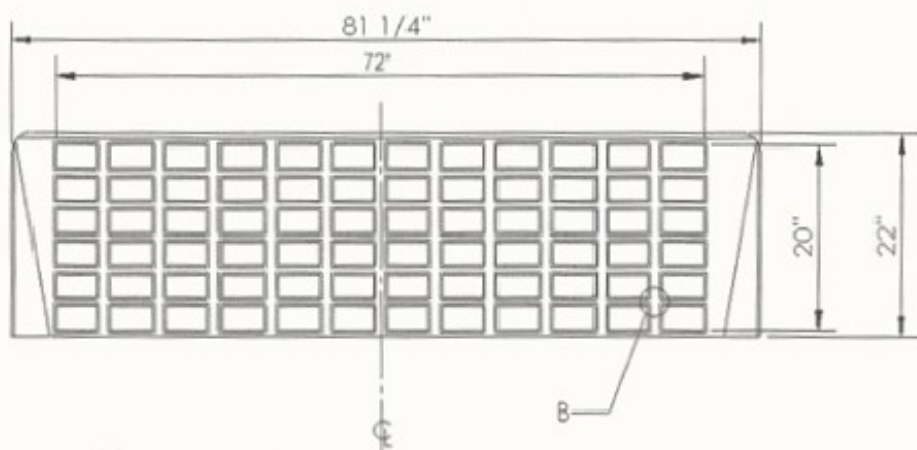
MODEL: EZE 1510

Rev. 2016

INCHES [mm]



NOTE: DRAWING IS TO SCALE



2 PIECE ASSEMBLY

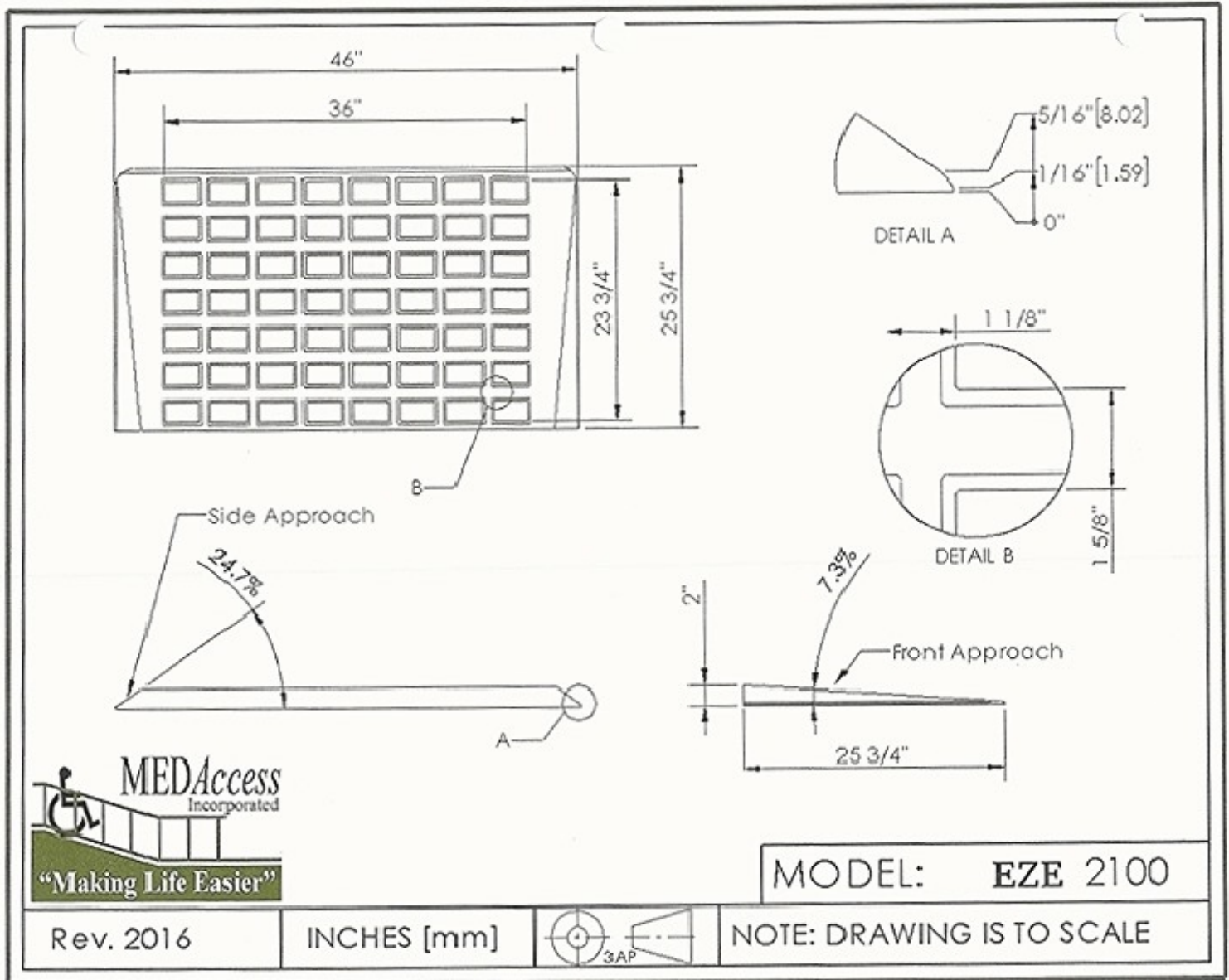
MODEL: EZE1540

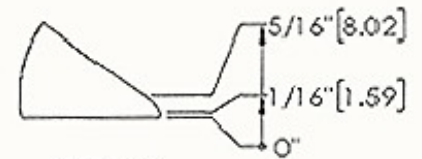
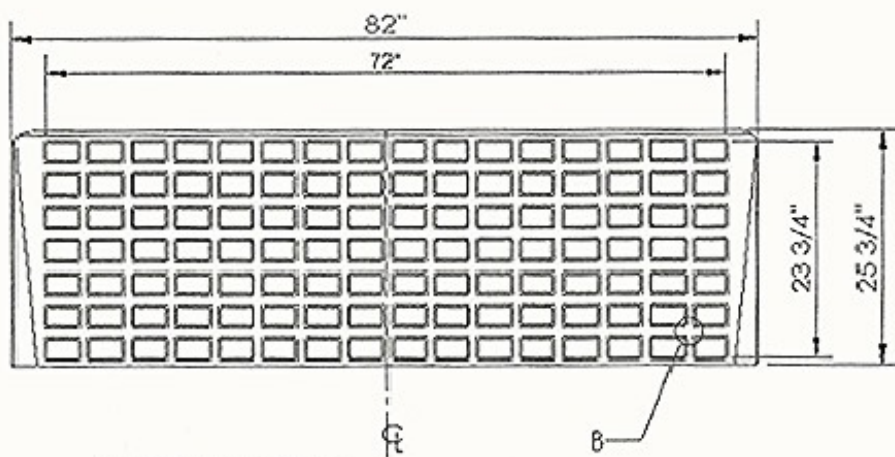
Rev. 2016

INCHES [mm]

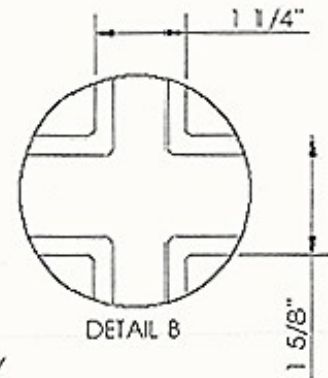


NOTE: DRAWING IS TO SCALE

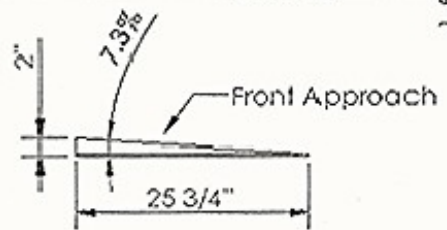
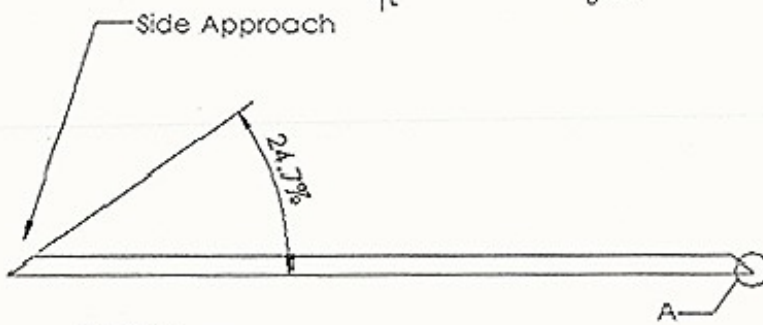




DETAIL A



DETAIL B



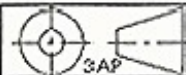
2 PIECE ASSEMBLY

MODEL: EZE 2130



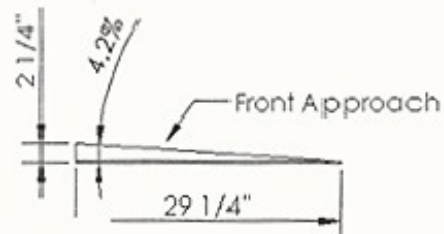
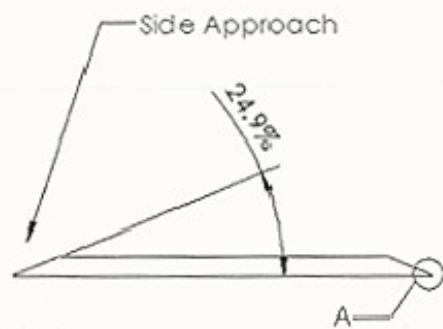
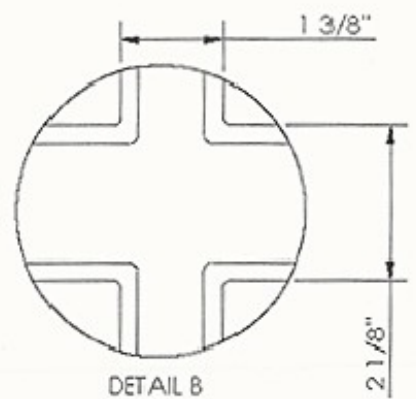
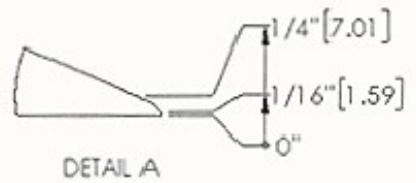
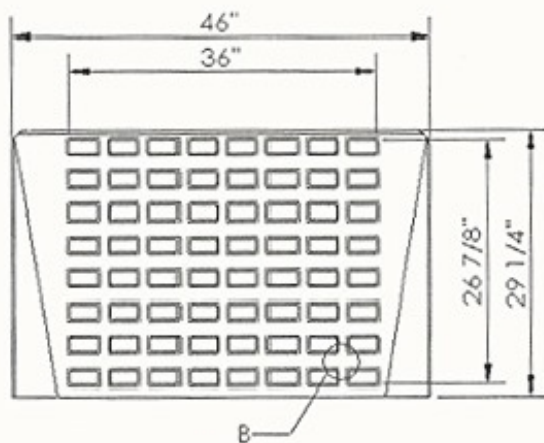
Rev. 2016

INCHES [mm]



NOTE: DRAWING IS TO SCALE

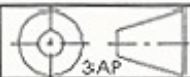




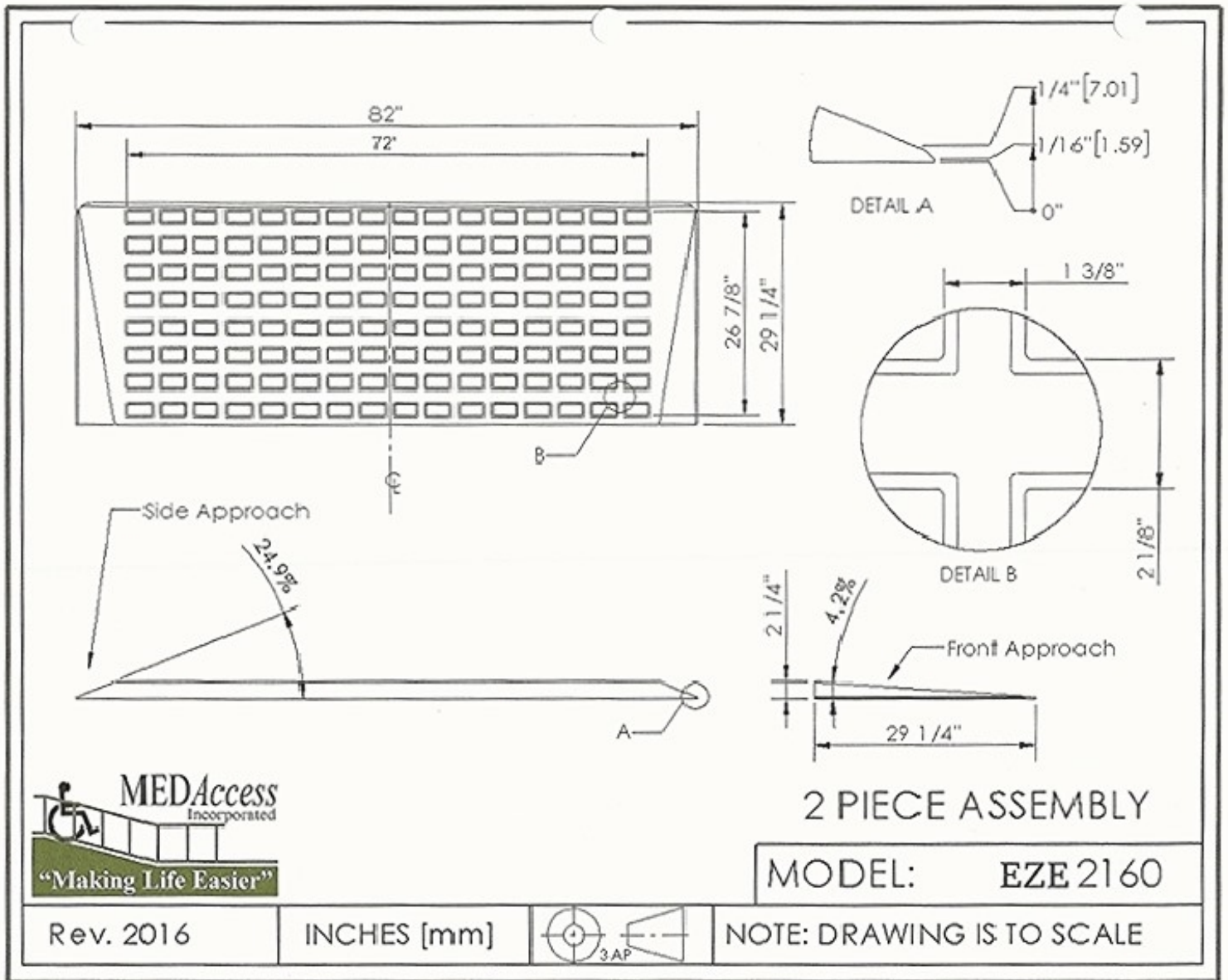
MODEL: EZE 2150

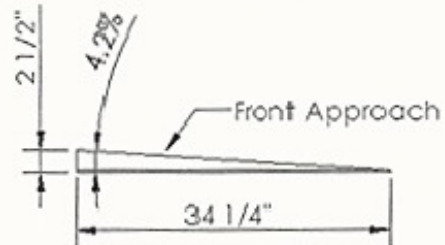
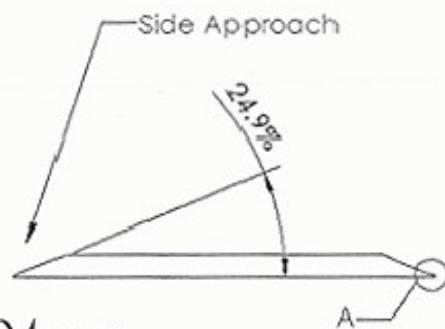
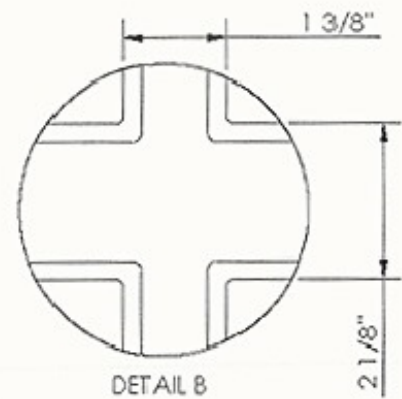
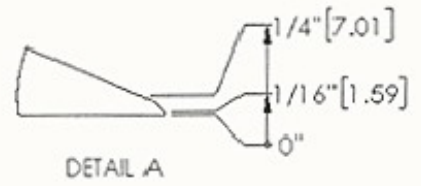
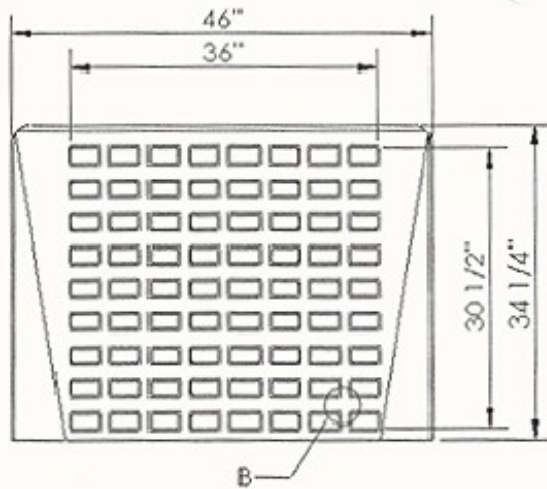
Rev. 2016

INCHES [mm]



NOTE: DRAWING IS TO SCALE





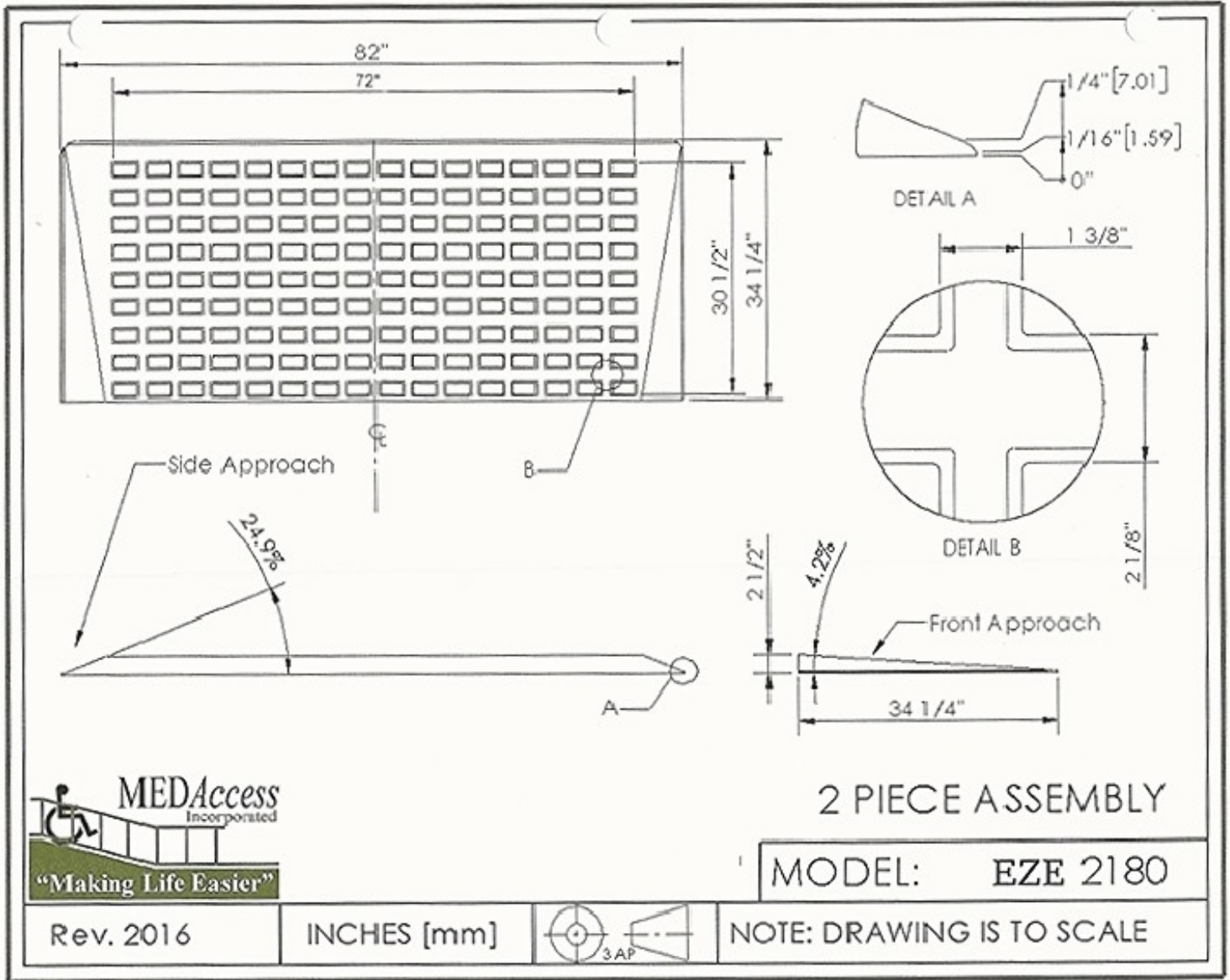
MODEL: EZE 2170

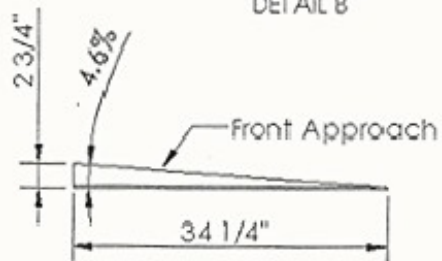
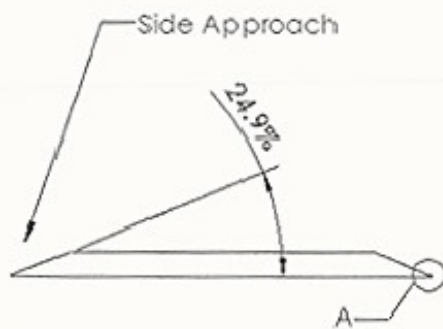
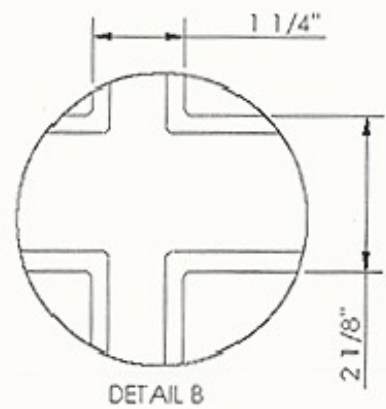
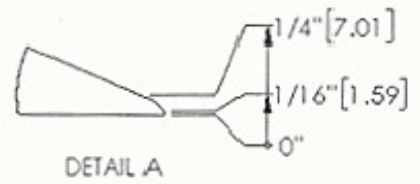
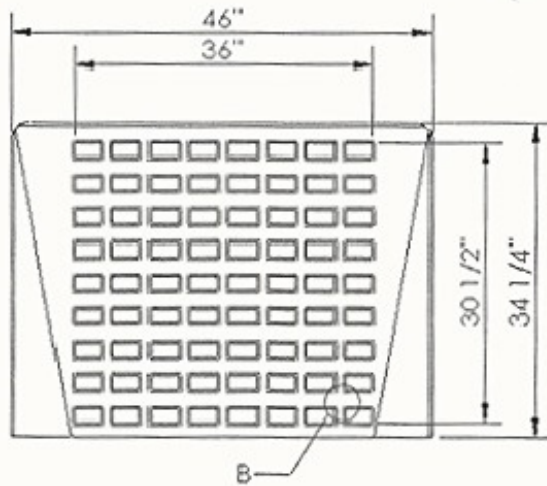
Rev. 2016

INCHES [mm]



NOTE: DRAWING IS TO SCALE





MODEL: EZE 2190

Rev. 2016

INCHES [mm]



NOTE: DRAWING IS TO SCALE

